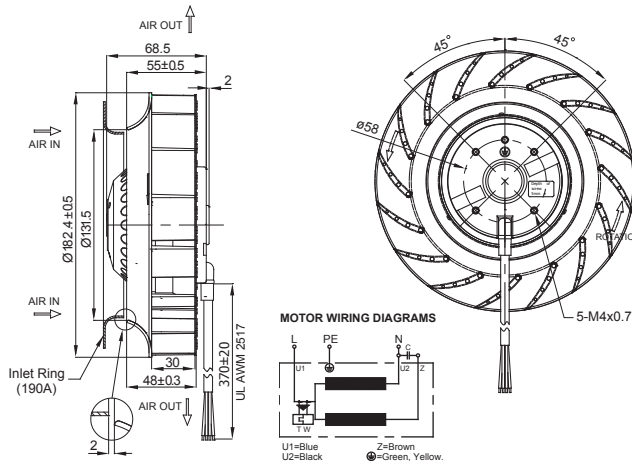
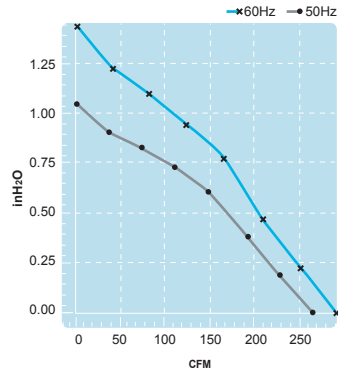


Size : $\varnothing 182.4 \times 68.5$
Unit : mm

(Centrifugal Fan)



Thermally-Protected



Lead Wire Type

Spec.	Rated Voltage	Frequency	Input Power	Rated Current	Locked Current	Speed	Maximum Air Flow	Maximum Air Flow	Maximum Pressure	Maximum Pressure	Capacitor	Noise	Weight
Model	V	Hz	W	A	A	RPM	m ³ /min.	CFM	mmH ₂ O	InchH ₂ O	μF/VDB	dB	kg
UF180(55)APA 11H2C2A	115	50	63	0.60	0.92	2550	7.5	265	26	1.0	10/250	64	1.2
		60	78	0.70	0.95	2800	8.3	290	36	1.4		67	
UF180(55)APA 23H2C2A	230	50	63	0.30	0.46	2550	7.5	265	26	1.0	2/450	64	1.2
		60	78	0.34	0.48	2800	8.3	290	36	1.4		67	