



• DC • SD175AP



172x150x51mm / 6x2inch

320~125 CFM

Model No	Rated	Voltage	Input	Rated	Ref.	Max.Airflow		Max.Static Pressure		Noise	PQ
	Volt	Range	Power	Current	Speed	CFM	m3/min	Inch/H2O	mm	Level	Curves
	VDC	VDC	Watt	Amp	RPM					db(A)	
SD175AP-12SH**	12	8~13.8	64.8	5.4	4100	315	8.9	1.02	25.91	59	SH
SD175AP-12HH**	12	8~13.8	50.4	4.2	3800	290	8.2	0.93	23.62	56	HH
SD175AP-12H**	12	8~14	23	1.9	3200	230	6.5	0.75	19.05	51	H
SD175AP-12M**	12	9~14	13.2	1.1	2500	180	5.1	0.51	12.95	42	M
SD175AP-12L**	12	9~15	5.5	0.45	1600	125	3.5	0.35	8.89	32	L
SD175AP-24SH**	24	15~27	63.6	2.65	4150	320	9.1	1.05	26.67	60	SH
SD175AP-24HH**	24	15~27	50.4	2.1	3900	300	8.5	0.98	24.89	57	HH
SD175AP-24H**	24	15~27.6	24	0.97	3300	235	6.7	0.79	20.07	52	H
SD175AP-24M**	24	17~27.6	13	0.52	2500	180	5.1	0.51	12.95	42	M
SD175AP-24L**	24	17~28	5	0.20	1600	125	3.5	0.35	8.89	32	L
SD175AP-48SH**	48	22~53	62.4	1.3	4150	320	9.1	1.05	26.67	60	SH
SD175AP-48HH**	48	22~53	49.4	1.03	3900	300	8.5	0.98	24.89	57	HH
SD175AP-48H**	48	22~56	23.5	0.48	3300	235	6.7	0.79	20.07	52	H
SD175AP-48M**	48	24~58	14.5	0.30	2500	180	5.1	0.51	12.95	42	M
SD175AP-48L**	48	24~63	5.8	0.12	1600	125	3.5	0.35	8.89	32	L

- ** = "WB" for wire lead type Ball bearing, or "TB" for terminal type Ball bearing
- Sinwan reserves the right to change data and improve electrical & mechanical design without notice, data tolerance +-10%

Motor

Motor Type:	Microprocessor brushless DC Motor, auto cutoff, auto restart
Burnout Protection:	Elctronically protected, polarity protected
IP Protection:	-

Mechanical

Frame:	Aluminum die cast, black color(AP) or natural color(AN)
Impeller:	5 blades, glass fiber reinforced plastic, rated UL94V-0
Bearing:	Two ball bearings
Rotation:	CW seen on rotor
Connection:	Wire lead or terminal flat pin connecting
Weight:	820 g (1.8 Lbs)

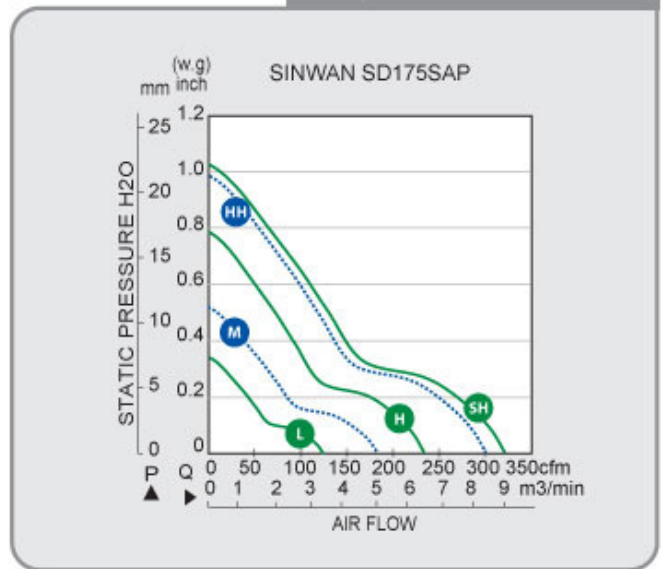
Electronical

Dielectric Strength:	500 VAC/min. Max leakage 500mA
Speed Control:	Optional:PWM, S/C NTC thermister
Signal Output:	Optional:R/D alarm output, tachometer output

Environment

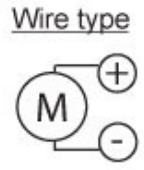
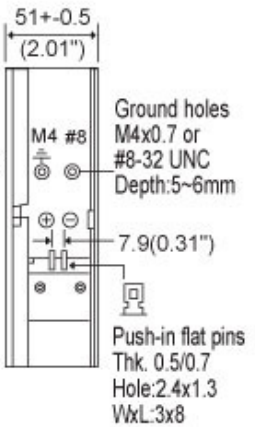
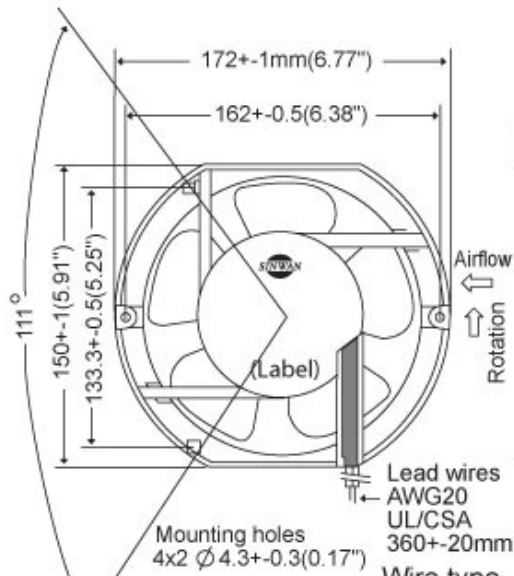
Operating Temp:	Ambient non-condensing -15~+65C
Storage Temp:	-25C~+80C (at 65%RH)
Life Expectancy:	L10 90K hours at 35C, 40K hours at 60C

► Performance P-Q Curves



- Nomenclature
- R/D Alarm
- F/G Tach
- S/C Function
- PWM Function

► Outline Dimensions



- Wire type**
- Lead wires AWG20 UL/CSA 360+-20mm
- Terminal type**
- Ground holes M4x0.7 or #8-32 UNC Depth:5~6mm
 - Push-in flat pins Thk: 0.5/0.7 Hole:2.4x1.3 WxL:3x8
- Function Leads**
- Red color Alarm R/D- Yellow color
 - 5V Green Tacho F/G- White color
 - 12V Blue Speed control:
 - 24V Black Themister NT S/C- Orange
 - 38V Brown Pulse W. Mod. PWM-Purple
 - 48V Brown Speed setting vs Vol. S/S- Gray

Relevant products



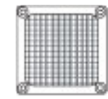
Metal Fan Guard
G172-10H, G172-10HA



Plastic Fan Guard
G172P



Plastic Fan Filter
GRM172-30, GRM172-45



Metal Fan Screen
MF172S-30N



Email: sinwanfan@sinwan.com.tw <http://www.sinwan.com.tw>
SINWAN